



# DMBC110

Signal Dimmer Controller

Luminaire mount multi-protocol control solution

The Philips Dynalite DMBC110 provides intelligent networked control of individual lighting fixtures. The compact design enables mounting directly within the gear enclosure of many lighting fixtures.

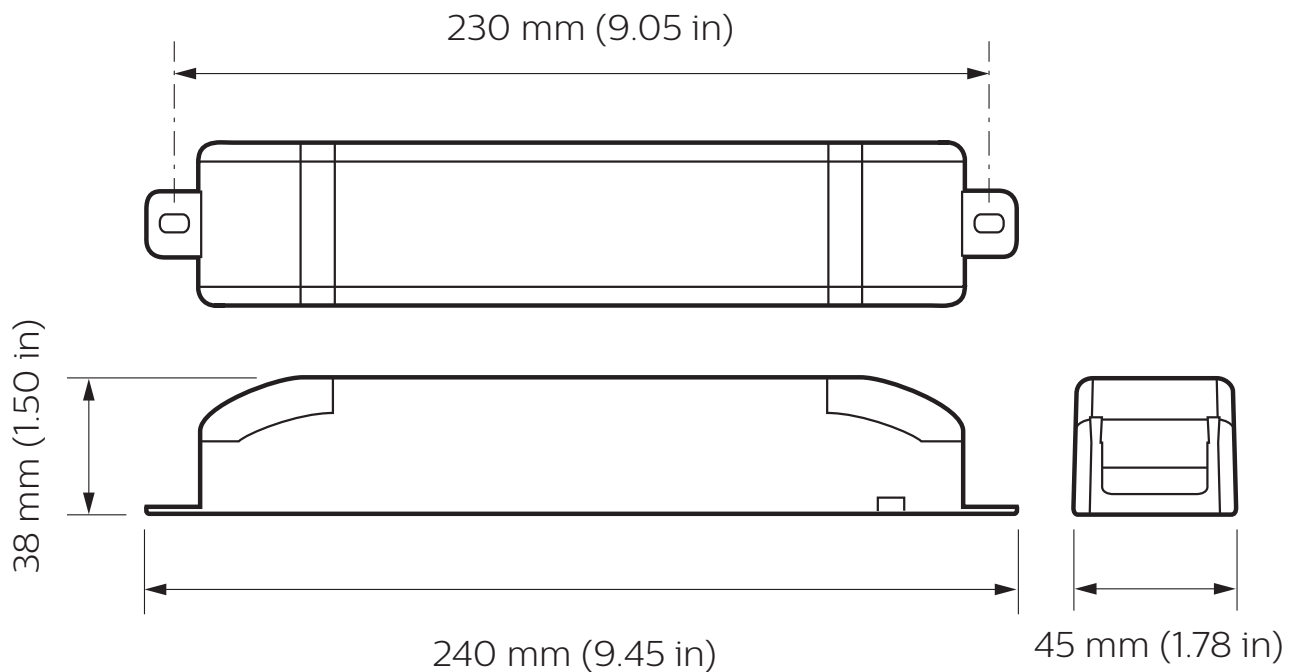
# DMBC110

## Luminaire mount multi-protocol control solution

- **Incorporates one relay output and one signal dimmer output** – Provides dimming control of DALI, 1-10 V and DSI compatible drivers and transformers.
- **Gear enclosure mounting** – Compact design allows the device to be mounted directly within the gear enclosure of many light fittings.
- **Fully rated device** – Robust relay provides reliable control of difficult lighting loads.
- **Inbuilt diagnostic functionality** – Features Device Online/Offline status indication.

---

## Dimensions



# Specifications

Due to continuous improvements and innovations, specifications may change without notice.



**DMBC110**  
Signal Dimmer Controller

## Electrical

|                          |                    |
|--------------------------|--------------------|
| Supply Type              | Single-Phase       |
| Supply Voltage           | 230 VAC $\pm$ 14%  |
| Supply Current           | 10 A               |
| DyNet DC Output Voltage  | 12 VDC             |
| DyNet DC Output Current  | 120 mA             |
| Switched Output          | 1 x 10 A inductive |
| Output Channel Ratings   | (See Page 4)       |
| IEC Overvoltage Category | III                |

## Control

|                         |                                      |
|-------------------------|--------------------------------------|
| Serial Ports            | 1 x RS-485                           |
| Supported Protocols     | DyNet<br>DMX Rx                      |
| DMX Rx Channels         | 1                                    |
| Control Channel Outputs | 1<br>(DALI Broadcast, DSI or 1-10 V) |
| Diagnostic Functions*   | Device online/offline status         |

\* Philips Dynalite System Manager required for analyzing diagnostic data. The availability of some diagnostics is dependent on driver type.

## Physical

|                                |  |
|--------------------------------|--|
| Dimensions (H x W x D)         | 38 x 240 x 45 mm (1.50 x 9.45 x 1.78 in) |
| Packed Weight                  | 0.19 kg (0.42 lb)                        |
| Construction                   | Polycarbonate                            |
| Serial Ports                   | 1 x 5-way pluggable screw terminal       |
| Serial Port Conductor Size     | 1.5 mm <sup>2</sup> (#16 AWG) (max)      |
| Supply Terminals               | 2 x screw terminal<br>Line IN, Neutral   |
| Supply Terminal Conductor Size | 5 mm <sup>2</sup> (#10 AWG) (max)        |
| DALI Terminals                 | 2 x screw terminal<br>DA-, DA+           |
| DALI Terminal Conductor Size   | 1.5 mm <sup>2</sup> (#16 AWG) (max)      |
| Output Terminals               | 2 x screw terminal<br>Line OUT, Neutral  |
| Output Terminal Conductor Size | 5 mm <sup>2</sup> (#10 AWG) (max)        |

## Environment\*\*

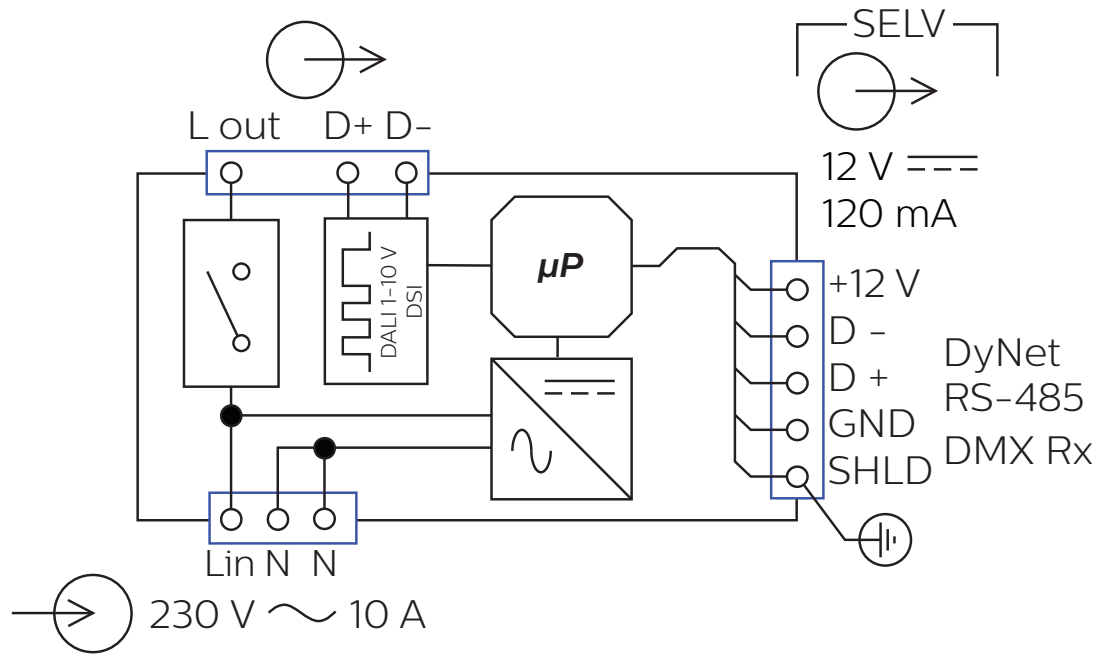
|                               |                                      |
|-------------------------------|--------------------------------------|
| Operating Temperature         | 0° to 50°C ambient (32° to 122°F)    |
| Storage/Transport Temperature | -25° to 70°C ambient (-13° to 158°F) |
| Relative Humidity             | 0 to 90% non-condensing              |
| IEC Pollution Degree          | II                                   |

## Compliance

|               |                     |
|---------------|---------------------|
| Certification | CE, RCM, UKCA, RoHS |
|---------------|---------------------|

\*\* For indoor installation only

# Electrical



## Control Channel Ratings

| DALI/DSI           | Channel                    |
|--------------------|----------------------------|
| Output Voltage     | 12 VDC                     |
| Guaranteed Current | 10 mA                      |
| Maximum Current    | 250 mA                     |
| Maximum Drivers    | 5                          |
| Insulation         | Basic                      |
| 1-10 V             | Channel                    |
| Current            | sink 20 mA<br>source 10 mA |

## Output Channel Ratings

| Load Type         | Maximum Rating per Output |
|-------------------|---------------------------|
|                   | CH1                       |
| General Use       | 10 A, 240 VAC             |
| Electronic Driver | 3 A, 240 VAC              |
| Inrush Current    | 165 A                     |

## Ordering Code

**Product**  
DMBC110

**Philips 12NC**  
913703030009



© 2023 Signify Holding. All rights reserved. Specifications are subject to change without notice. No representation or warranty as to the accuracy or completeness of the information included herein is given and any liability for any action in reliance thereon is disclaimed. Philips and the Philips Shield Emblem are registered trademarks of Koninklijke Philips N.V. All other trademarks are owned by Signify Holding or their respective owners.