

DLLI8180

Dry Contact Interface

Eight-way dry contact interface

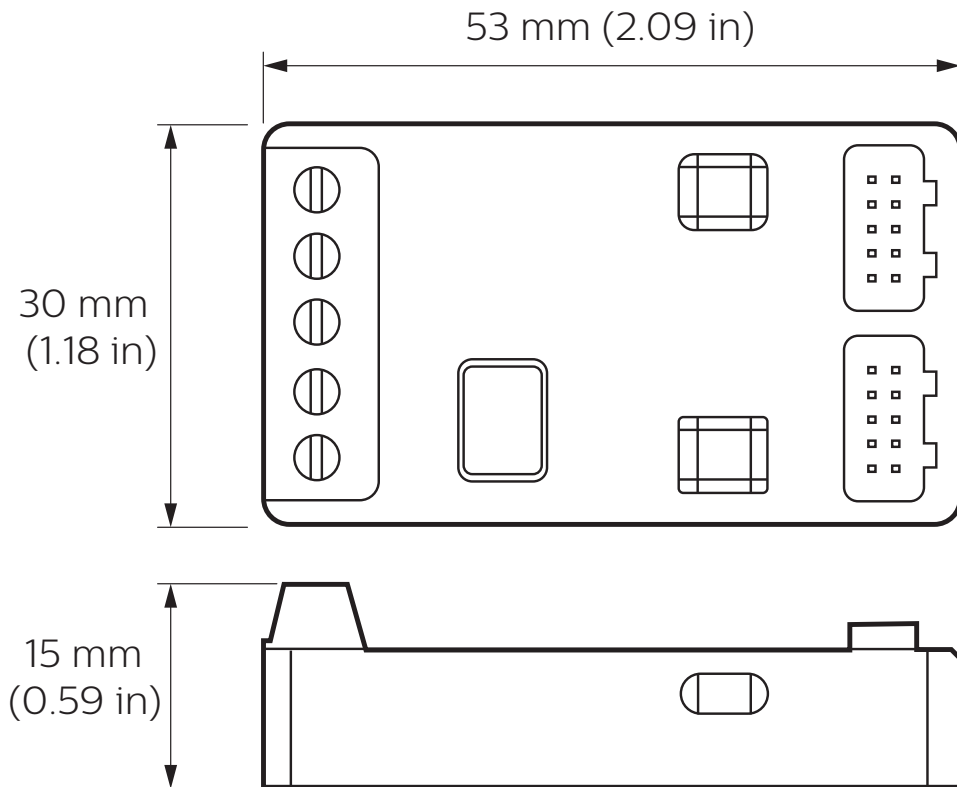
The Philips Dynalite DLLI8180 is an eight-way dry contact interface with LED indicator outputs, that allows mechanical and electronic switches to communicate directly to the DyNet network.

DLLI8180

Eight-way dry contact interface

- **Compact size** – Allows installation in electrical wall boxes for easy integration with third-party user interfaces.
- **Eight dry contact inputs** – Each dry contact trigger is individually programmable for a range of tasks.
- **Eight indicator outputs** – Each output is individually programmable to drive an external LED indicator sharing a common cathode, communicating current system status or settings.
- **Allows up to 20 m cable runs** – Enables convenient connection to dry contact interfaces in multiple rooms.

Dimensions



Specifications

Due to continuous improvements and innovations, specifications may change without notice.



DLLI8180
Dry Contact Interface

Electrical

| | |
|-----------------------------------|--------------|
| Supply Type | DyNet |
| Supply Voltage | 12-24 VDC |
| DyNet Supply Current | 30 mA |
| Dry Contact Open Switch Voltage | 12 VDC (max) |
| Dry Contact Closed Switch Current | 0.4 mA (max) |
| LED Output Channels | 8 |
| LED Output Channel Current | 1.65 mA |
| IEC Overvoltage Category | III |

Control

| | |
|----------------------|------------------------------|
| Communication Ports | 1 x RS-485 |
| Supported Protocols | DyNet |
| Dry Contact Inputs | 8 |
| User Inputs | 1 x service switch |
| Diagnostic Functions | Device online/offline status |

Physical

| | |
|---------------------------------------|---|
| Dimensions (H x W x D) | 53 x 30 x 15 mm (2.09 x 1.18 x 0.59 in) |
| Flylead Length | 150 mm (5.91 in) |
| Packed Weight | 50 g (0.11 lb) |
| Construction | Plastic housing |
| Communication Ports | 5 x screw terminal |
| Communication Terminal Conductor Size | 1.5 mm ² (#16 AWG) (max) |

Environment*

| | |
|-------------------------------|--------------------------------------|
| Operating Temperature | 0° to 40°C ambient (32° to 104°F) |
| Storage/Transport Temperature | -25° to 70°C ambient (-13° to 158°F) |
| Relative Humidity | 0 to 90% non-condensing |
| IEC Pollution Degree | II |

Compliance

| | |
|---------------|--|
| Certification | CE, RCM, UL/cUL, FCC, ICES, UKCA, RoHS |
|---------------|--|

* For indoor installation only

