



DDMIDC8

Low Level Input Integrator

Flexible input integration

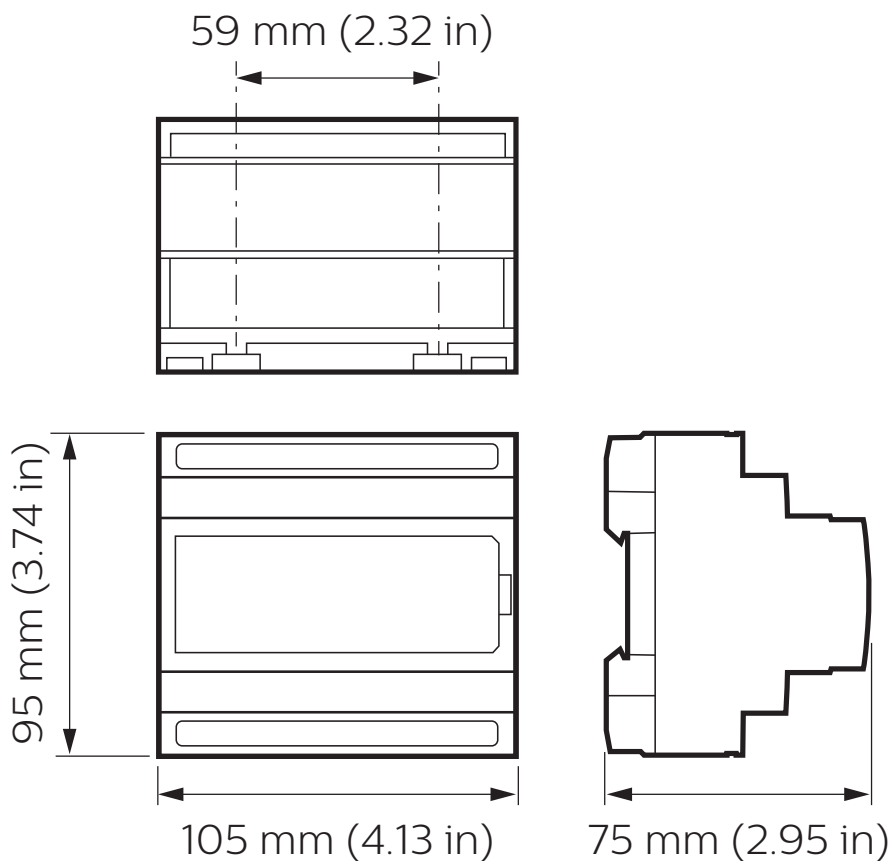
The Philips Dynalite DDMIDC8 is designed to enable cost-effective input integration to the Philips Dynalite control system from third-party systems such as security, HVAC and BMS.

DDMIDC8

Flexible input integration

- **Eight digital inputs** – Each can be individually configured as a dry contact or 0-24V AC/DC input.
- **LED indicator on each input** – Provides visual status indication.
- **Optical isolation** – All inputs isolated for high noise immunity.
- **Four 0-5/0-10 V analogue inputs** – Software selectable.
- **Programmable Logic Controller** – Processes comprehensive conditional and sequential logic and arithmetic functions.

Dimensions



Specifications

Due to continuous improvements and innovations, specifications may change without notice.



DDMIDC8 Low Level Input Integrator

Electrical

Supply Type	DyNet
Supply Voltage	12 VDC
Supply Current	68 mA
Digital Input Isolation	Optical (2.5 kV surge rated)
Analog Input Impedance	20 kΩ
IEC Overvoltage Category	III

Control

Communication Ports	1 x RS-485
Supported Protocols	DyNet
Digital Inputs	8
Digital Input Options	Dry contact (10 VDC @ 1.5 mA) 10-24 V AC/DC @ 4 mA (SELV only)
Analog Inputs	4
Analog Input Options	0-5 V 0-10 V (SELV only)
User Controls	2 x service switch
Indicators	2 x service LED 8 x digital input status LED

Physical

Dimensions (H x W x D)	95 x 105 x 75 mm (3.74 x 4.34 x 2.95 in)
Packed Weight	0.28 kg (0.62 lb)
Construction	Polycarbonate DIN-rail enclosure (6 unit)
Communication Ports	5 x screw terminal
Digital Input Terminals	16 x screw terminal
Analog Input Terminals	9 x screw terminal
All Terminal Conductor Size	2.5 mm ² (#12 AWG) (max)
Maximum Digital Input Cable Length	50 m
Maximum Analog Input Cable Length	10 m

Environment*

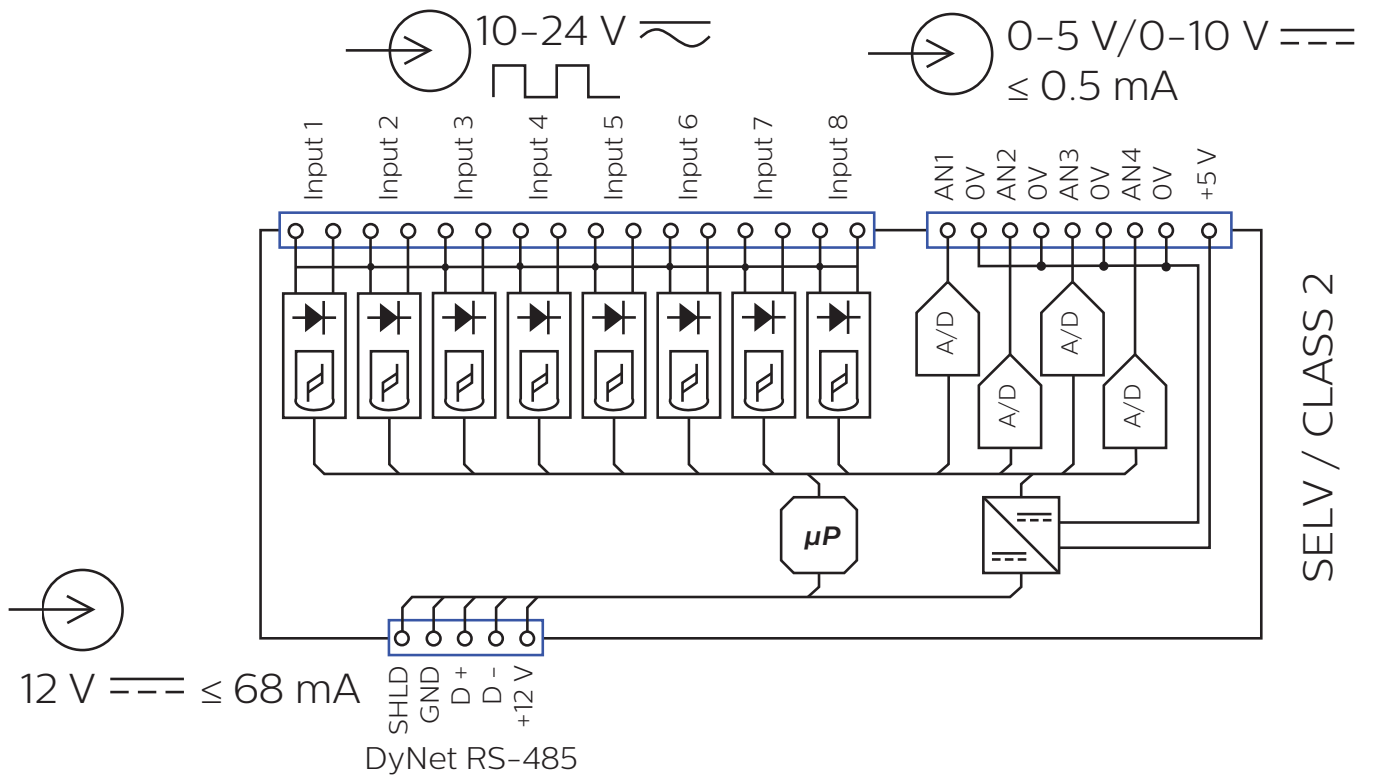
Operating Temperature	0° to 50°C ambient (32° to 122°F)
Storage/Transport Temperature	-25° to 70°C ambient (-13° to 158°F)
Relative Humidity	0 to 90% non-condensing
IEC Pollution Degree	II

Compliance

Certification	CE, RCM, UKCA, RoHS
---------------	---------------------

* For indoor installation only

Electrical



Ordering Code

Product
DDMIDC8

Philips 12NC
913703081109



© 2022 Signify Holding. All rights reserved. Specifications are subject to change without notice. No representation or warranty as to the accuracy or completeness of the information included herein is given and any liability for any action in reliance thereon is disclaimed. Philips and the Philips Shield Emblem are registered trademarks of Koninklijke Philips N.V. All other trademarks are owned by Signify Holding or their respective owners.